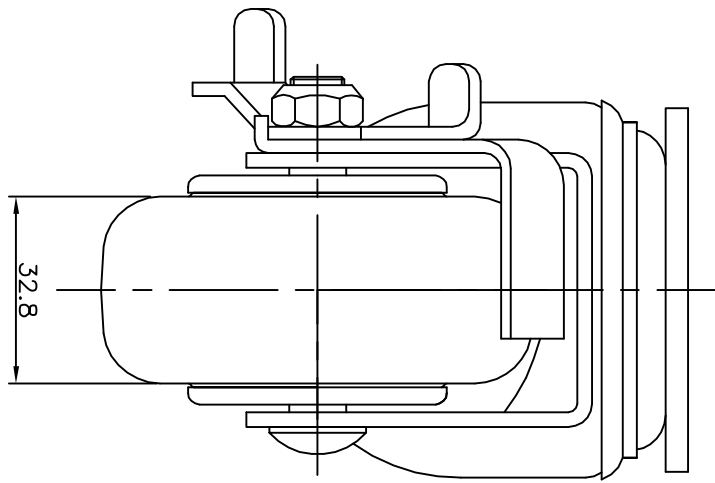
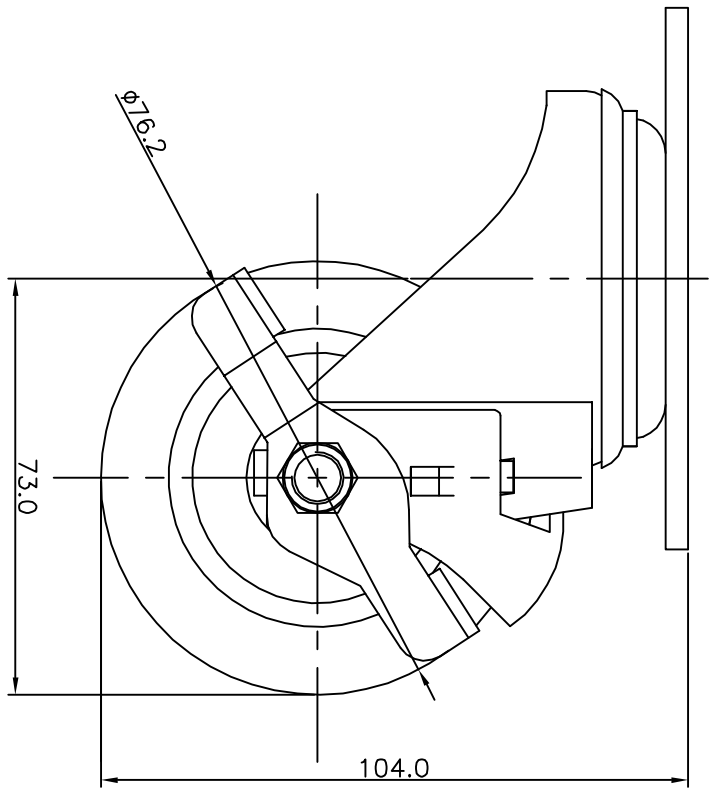
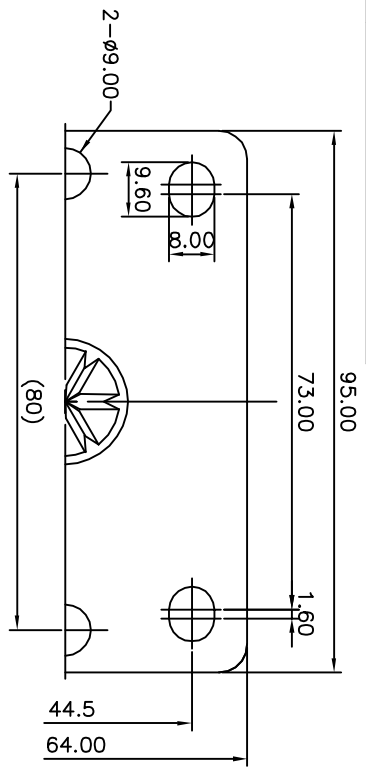



DWG NO.

NO.	NOMENCLATURE	MATERIAL	Q'TY	TREAT	REMARKS



△					NAME	TPS030-01-PLY-TLB-TG-RED ASSY
△					DRAWN	
△					DESIGN	
△					CHECKED	
△					APPROVED	
CODE	MEMO	DATE	SIGN			

THIRD ANGLE	SCALE	1 / 1	DWG NO.	
DRAW	DATE	2015.07.03		

 SAM SONG MFG. CO., LTD. REF. NO.